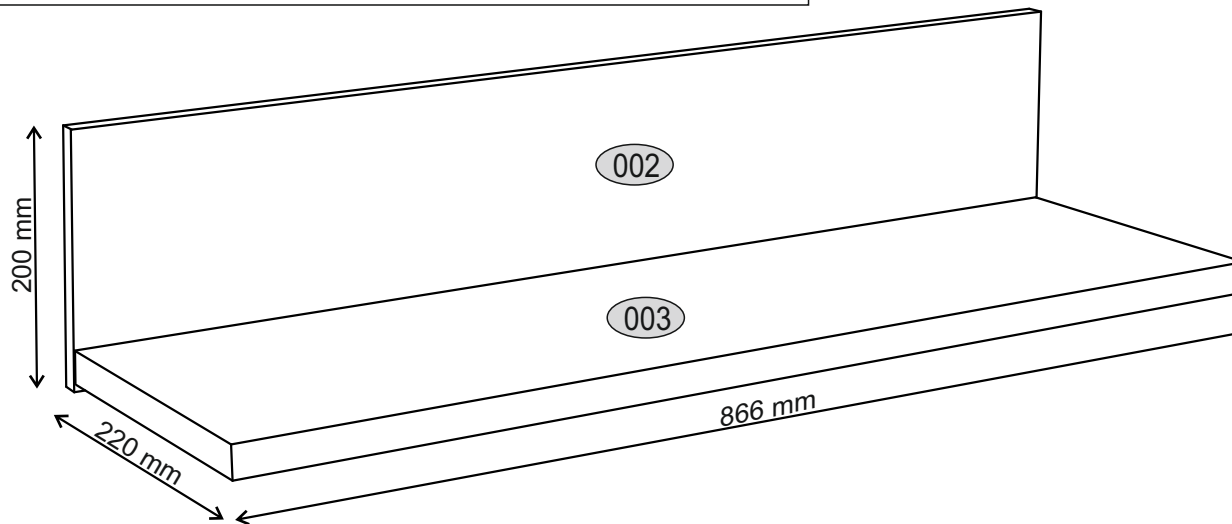
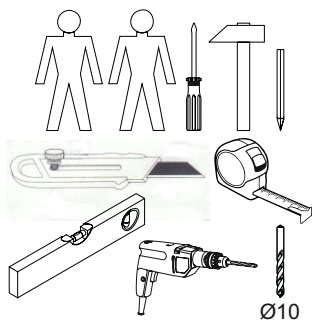
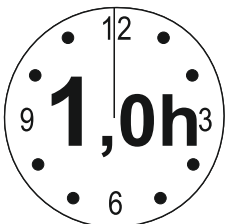


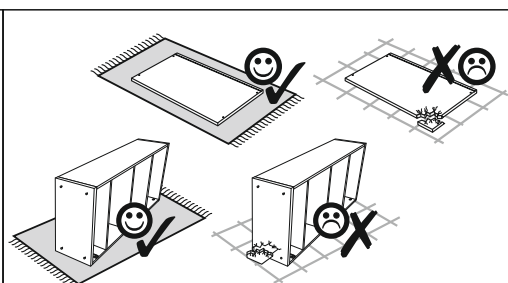
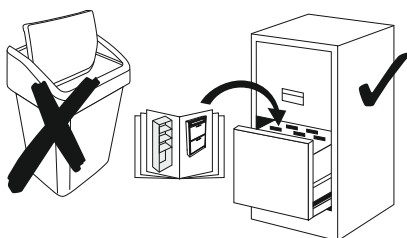
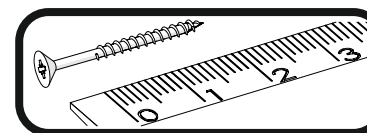
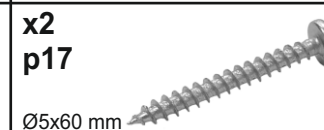
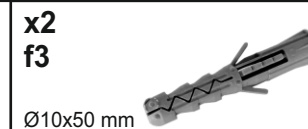
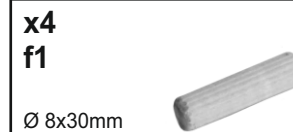


Installation manual

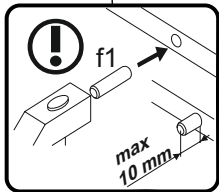
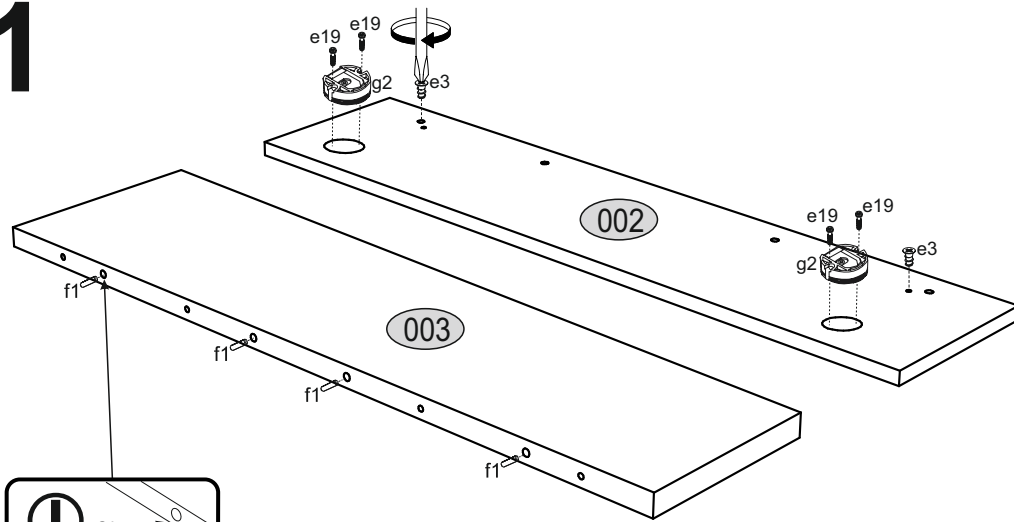
AYSON: półka 90



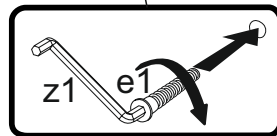
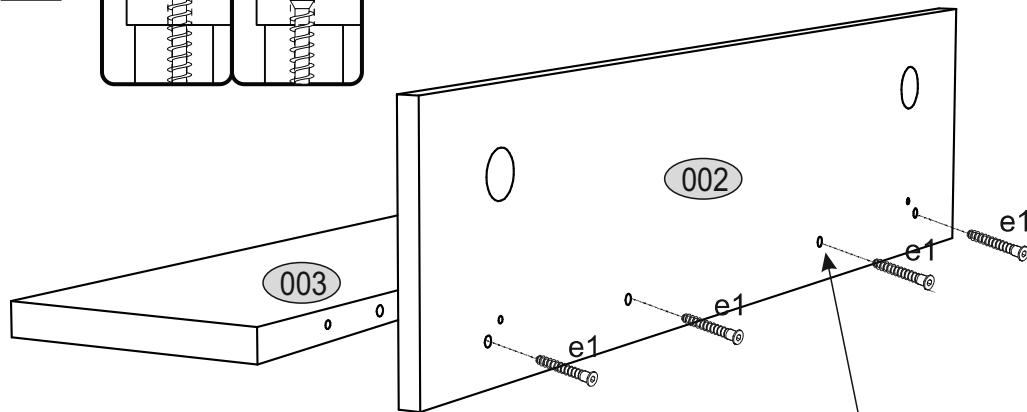
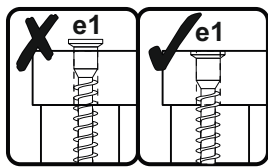
Code	Dimensions				Package
002	866	200	16	1	1/1
003	864	204	22	1	1/1
accessories				1	1/1



1



2



3

