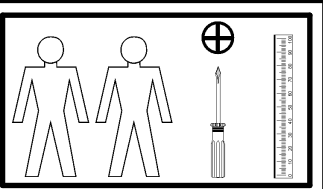
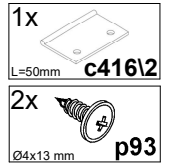
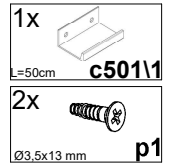
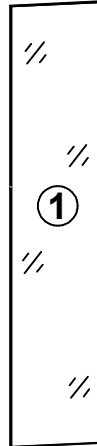
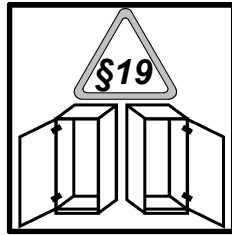
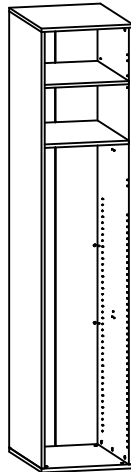
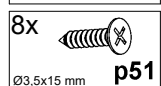
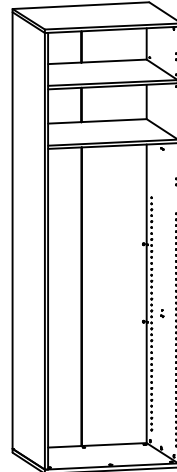


**A****FLEX****F57-FRN-50/240-SZK**

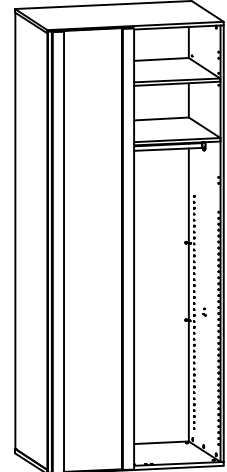
A	B	C	D
1	F57-0144_ A	2370	495
			1/1

**A**

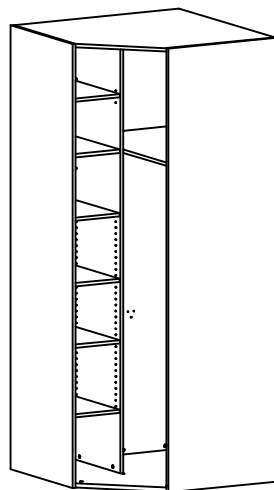
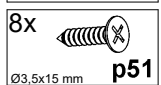
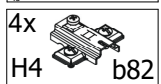
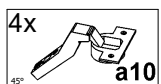
**F57-SZF1D/50/240/66**  
**F57-SZF1D/50/240/45**



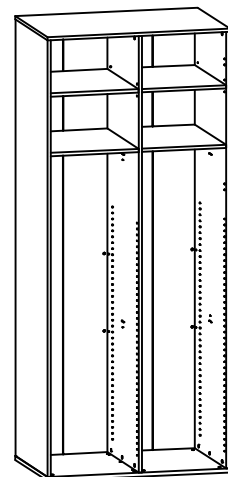
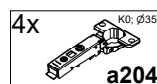
**F57-SZF2D/75/240/66**  
**F57-SZF2D/75/240/45**



**F57-SZF1DN/240/66**

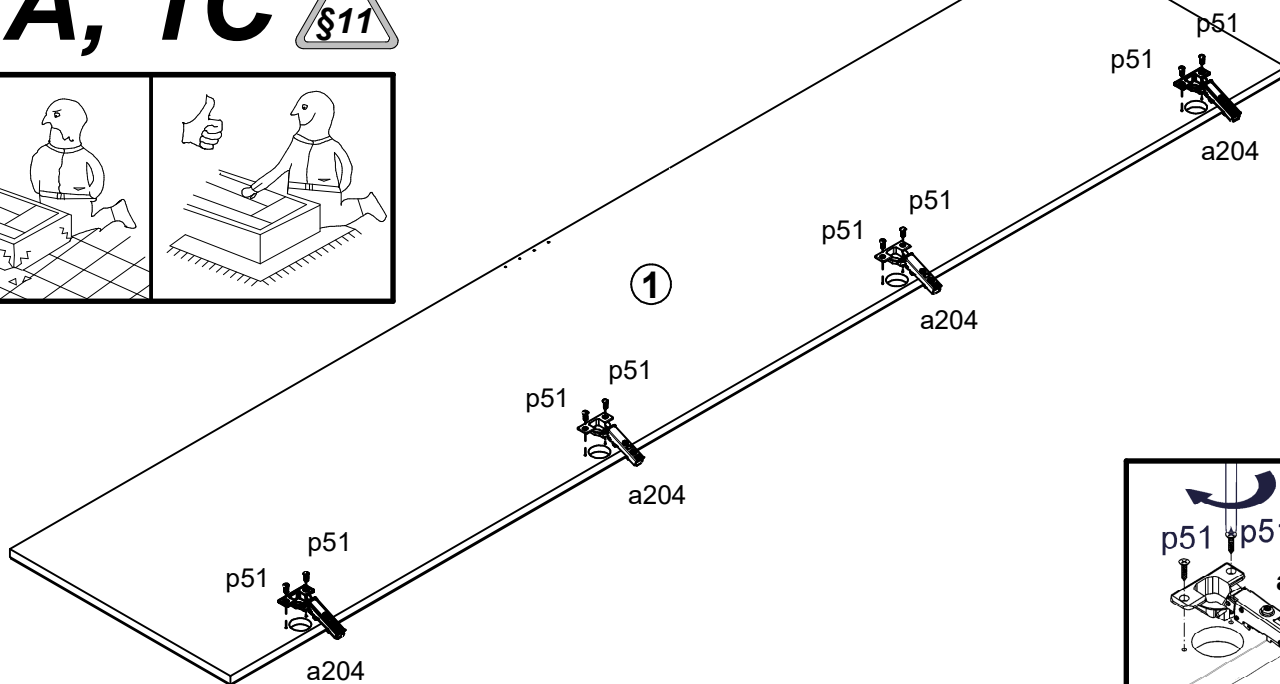
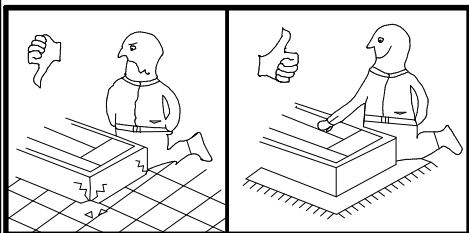
**B**

**F57-SZFN1D/240/66**

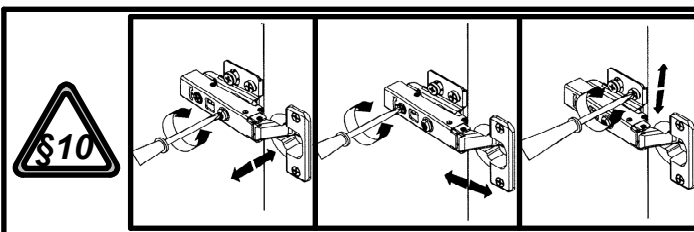
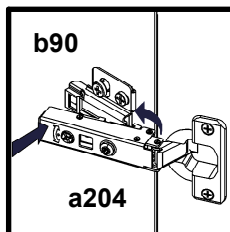
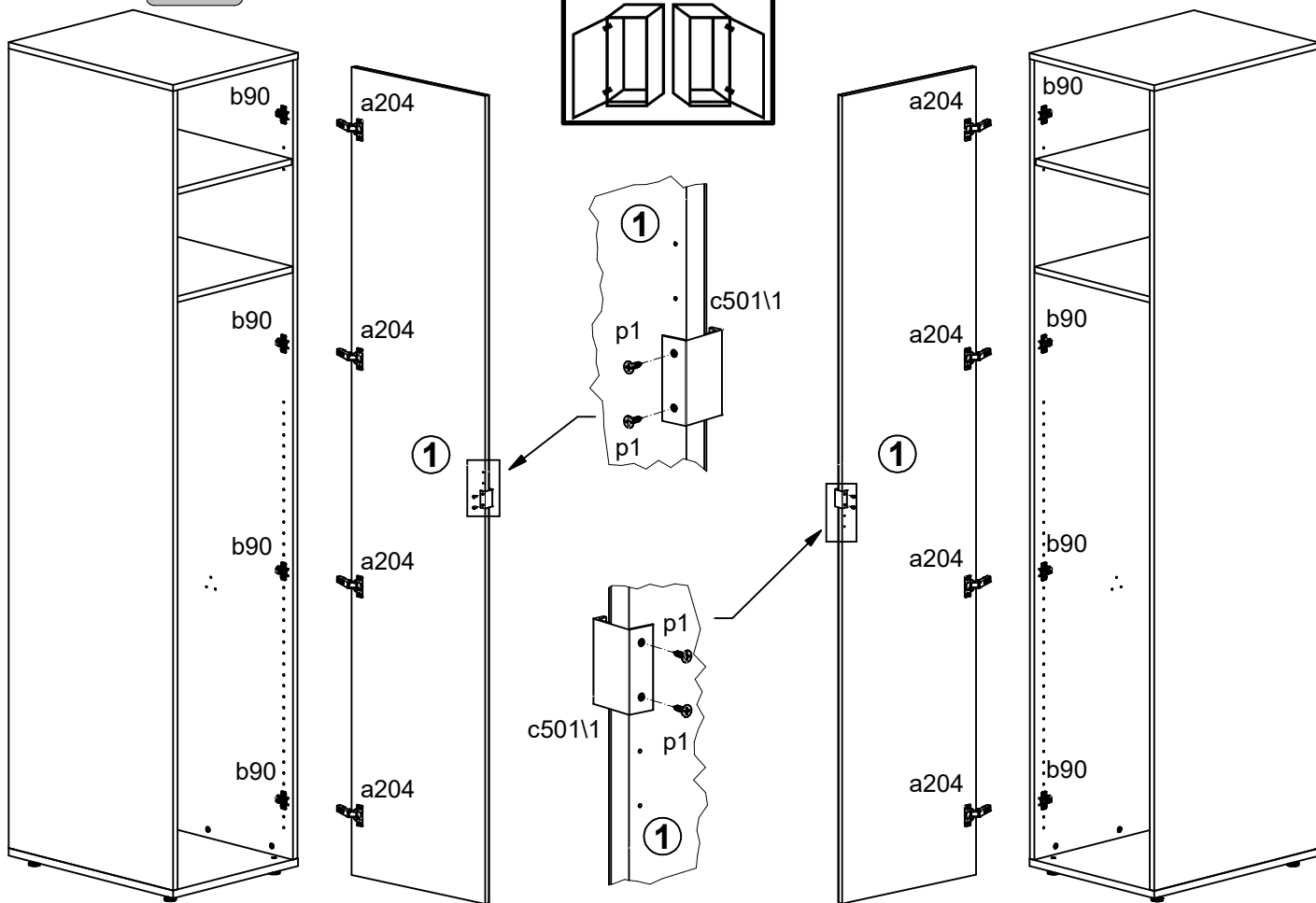
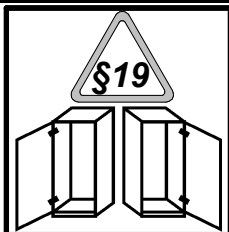
**C**

**F57-SZF2D/100/240/66**  
**F57-SZF2D/100/240/45**

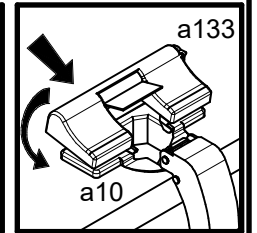
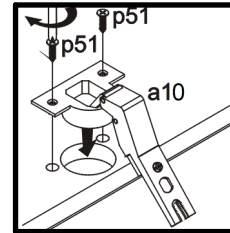
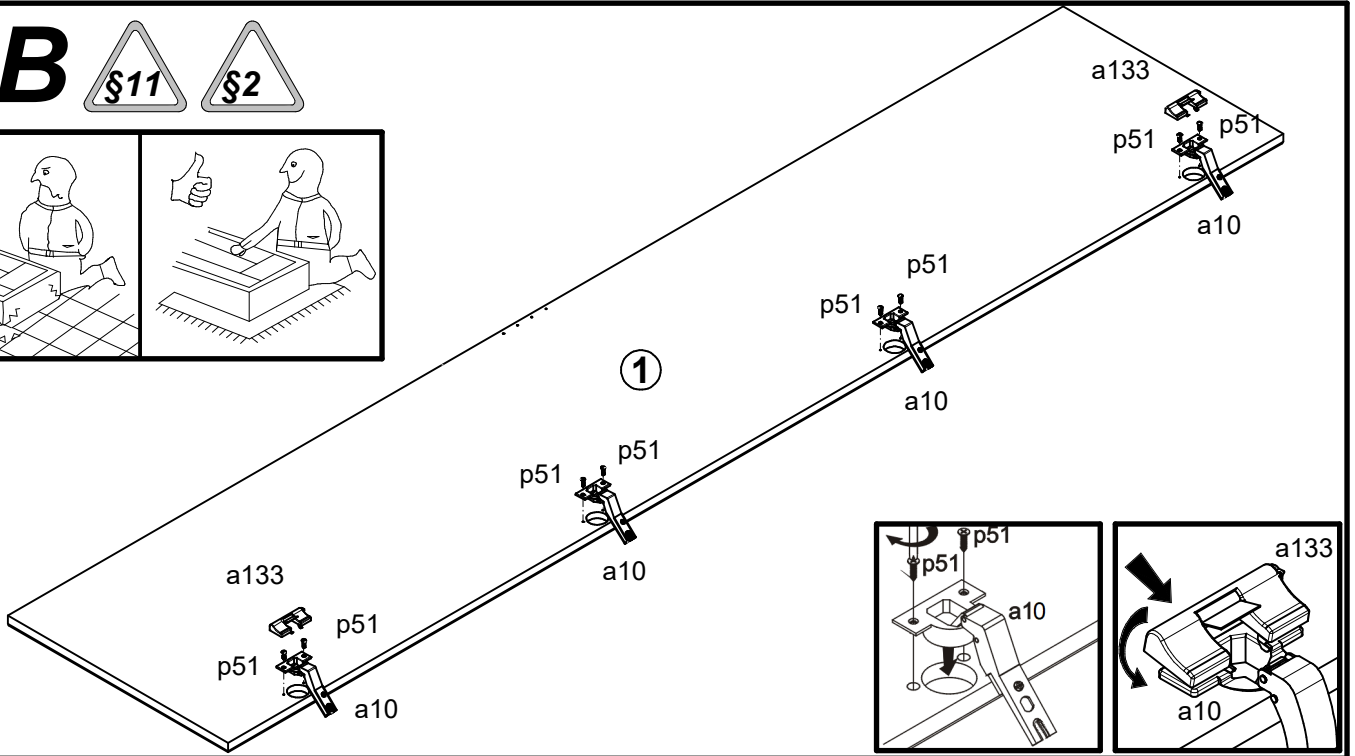
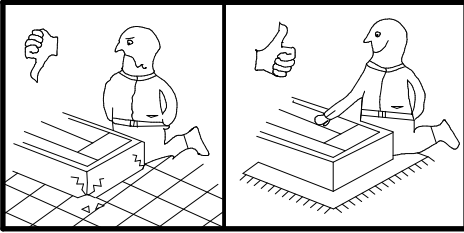
# 1A, 1C



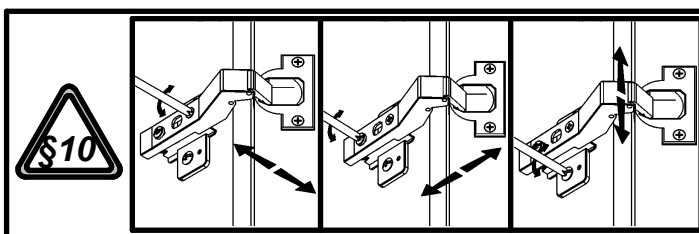
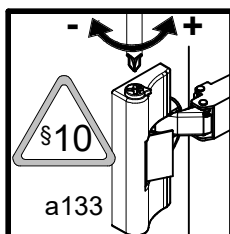
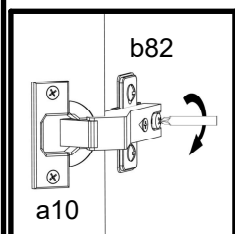
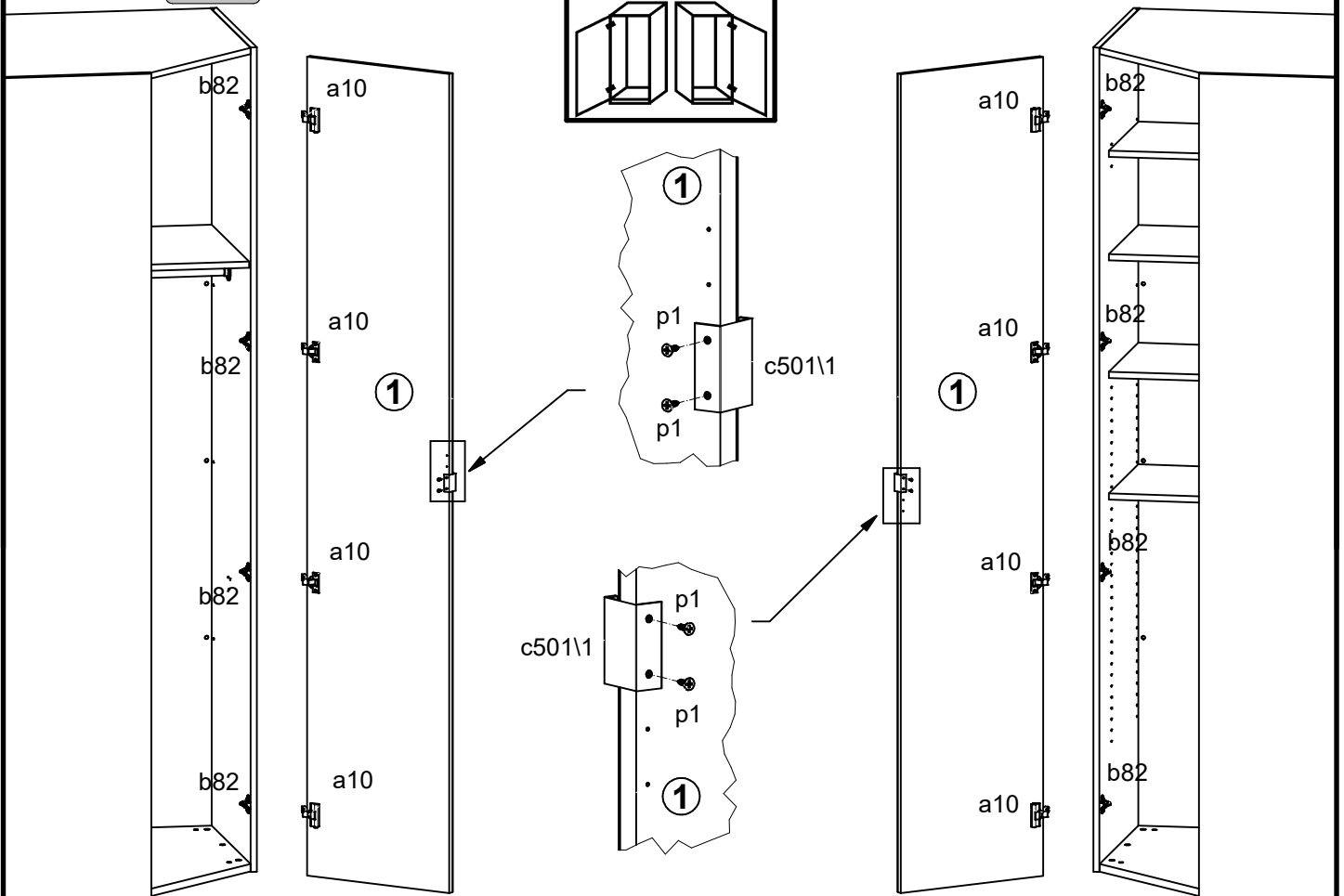
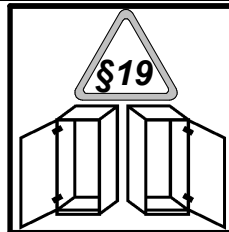
# 2A



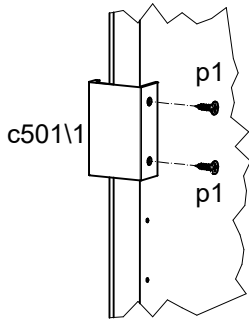
# 1B



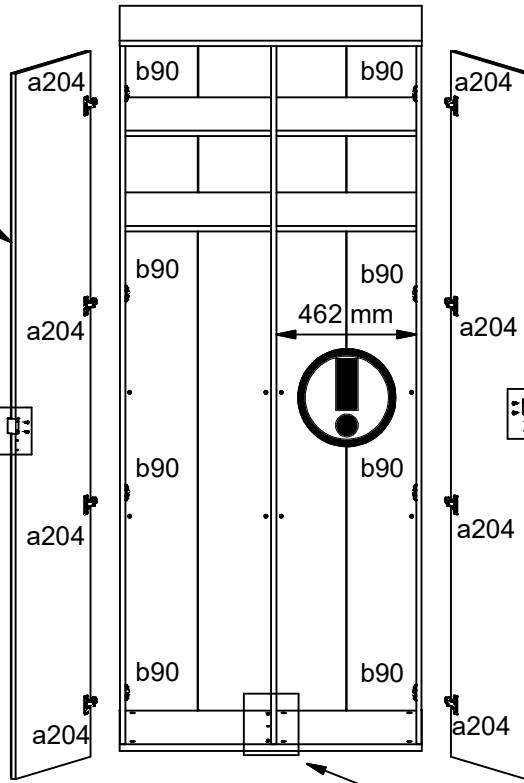
# 2B



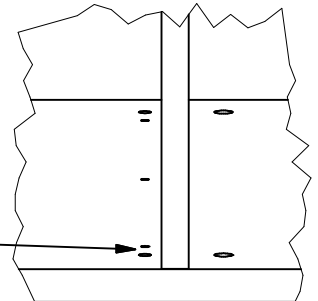
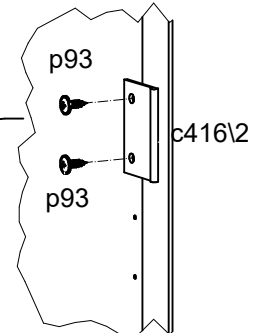
# 2C-1



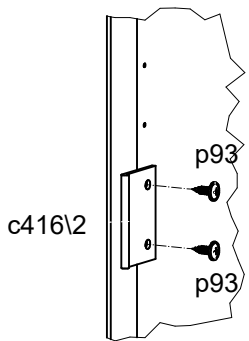
1



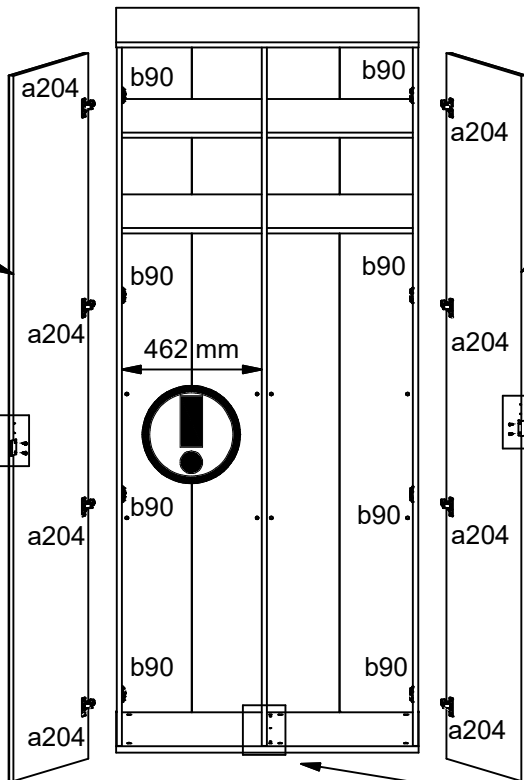
1



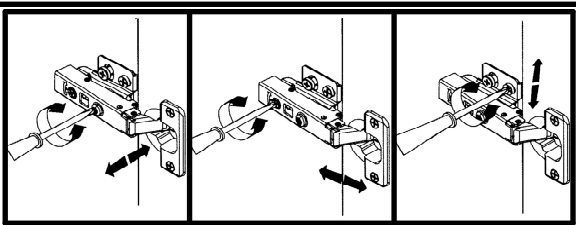
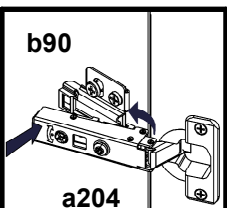
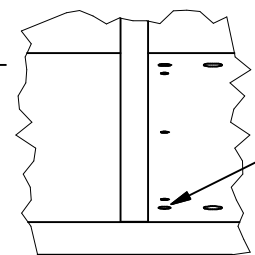
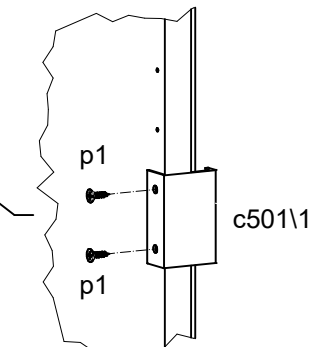
# 2C-2



1

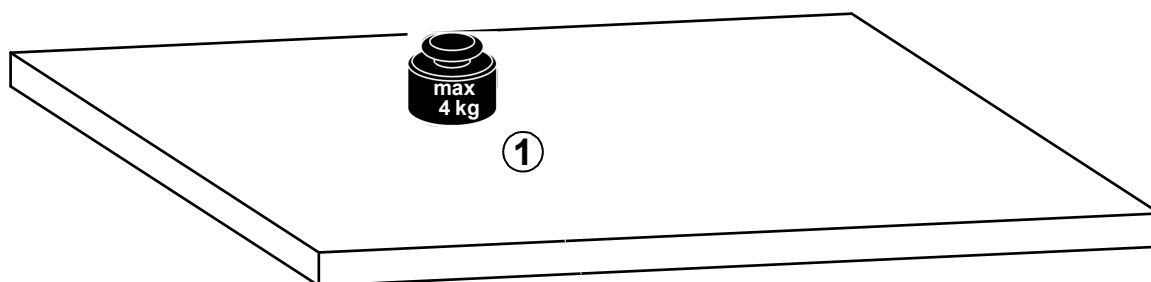
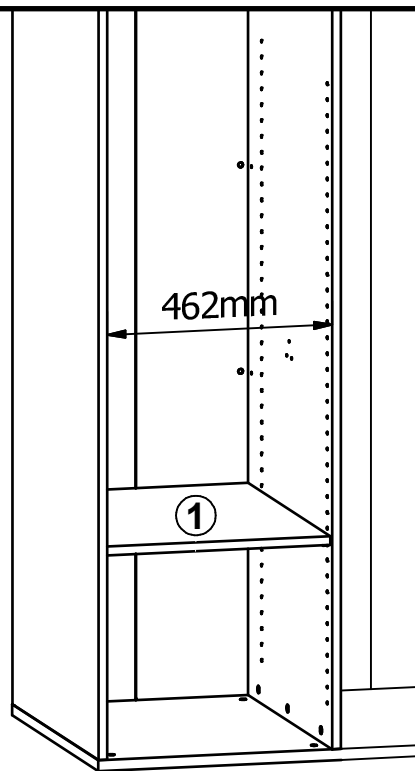
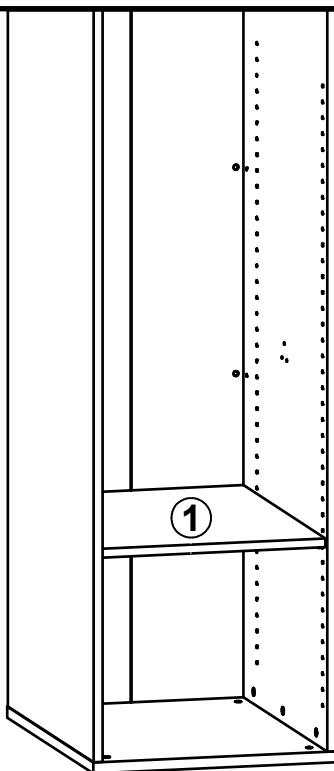
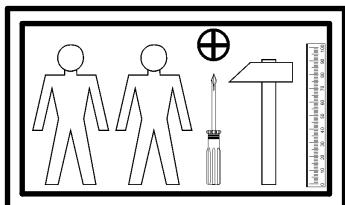


1



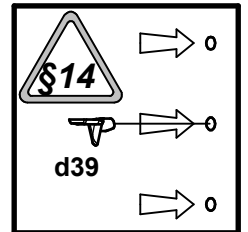
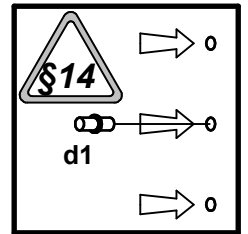
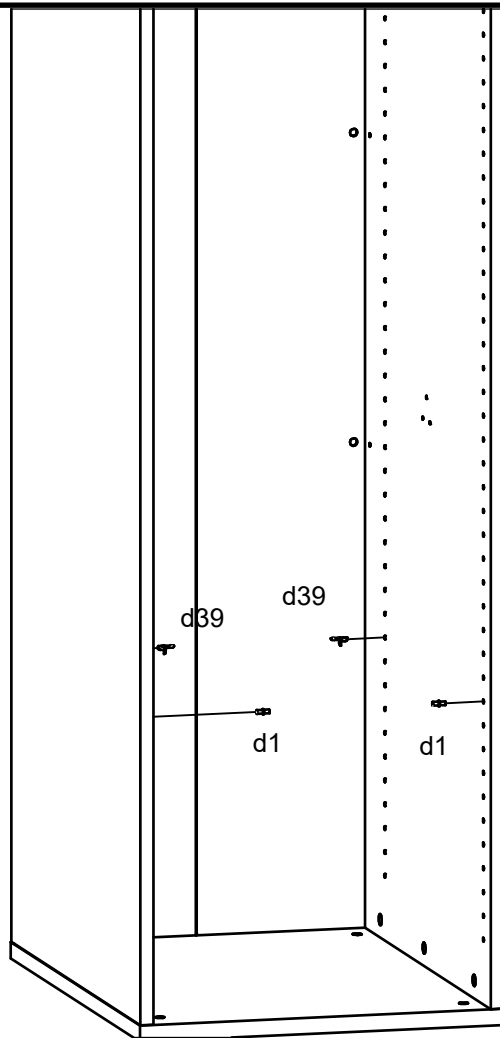
**A****FLEX****F57-POL/46/66**

A	B	C	D
1	F57-3058	461	630

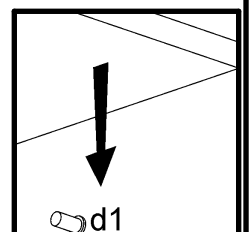
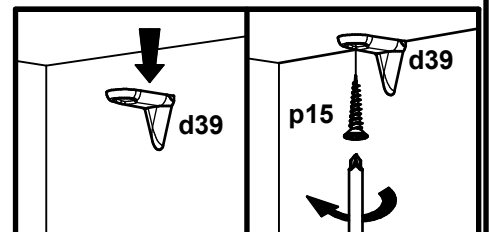
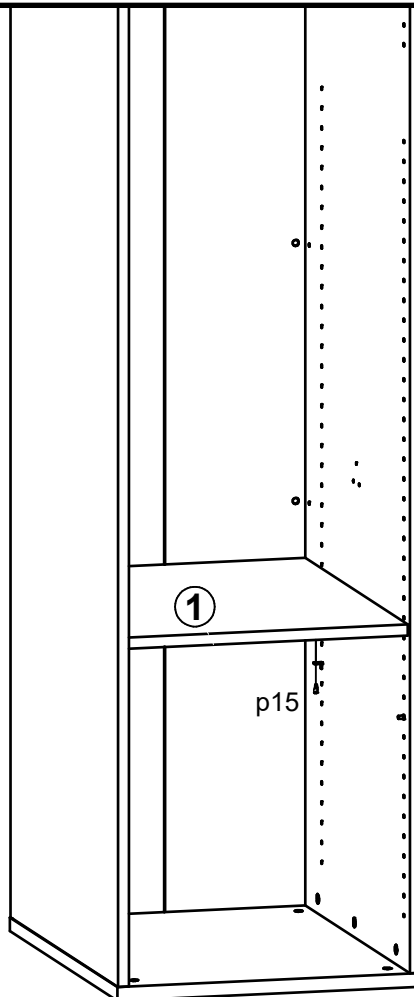


2x Ø5x17 mm d1	2x d39	2x Ø2.5x13 mm p15
----------------------	-----------	-------------------------

# 1



# 2

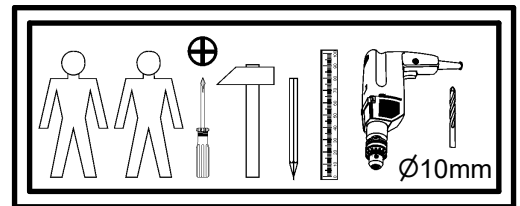
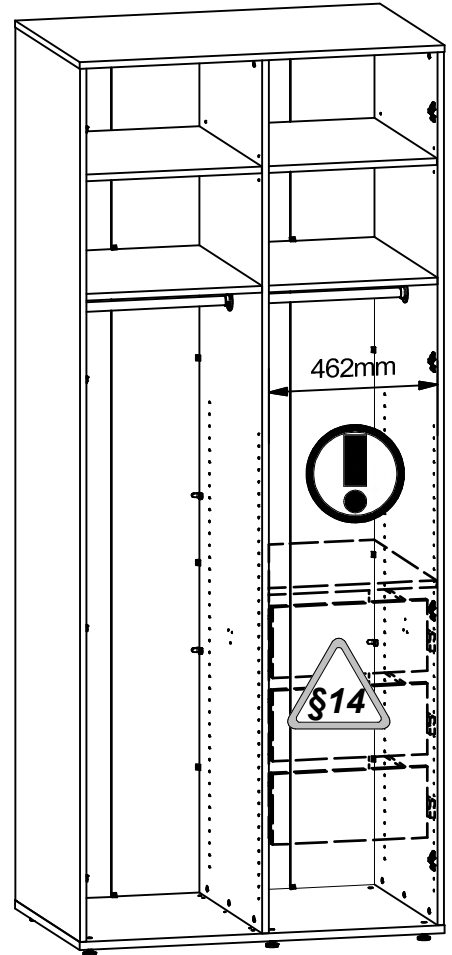
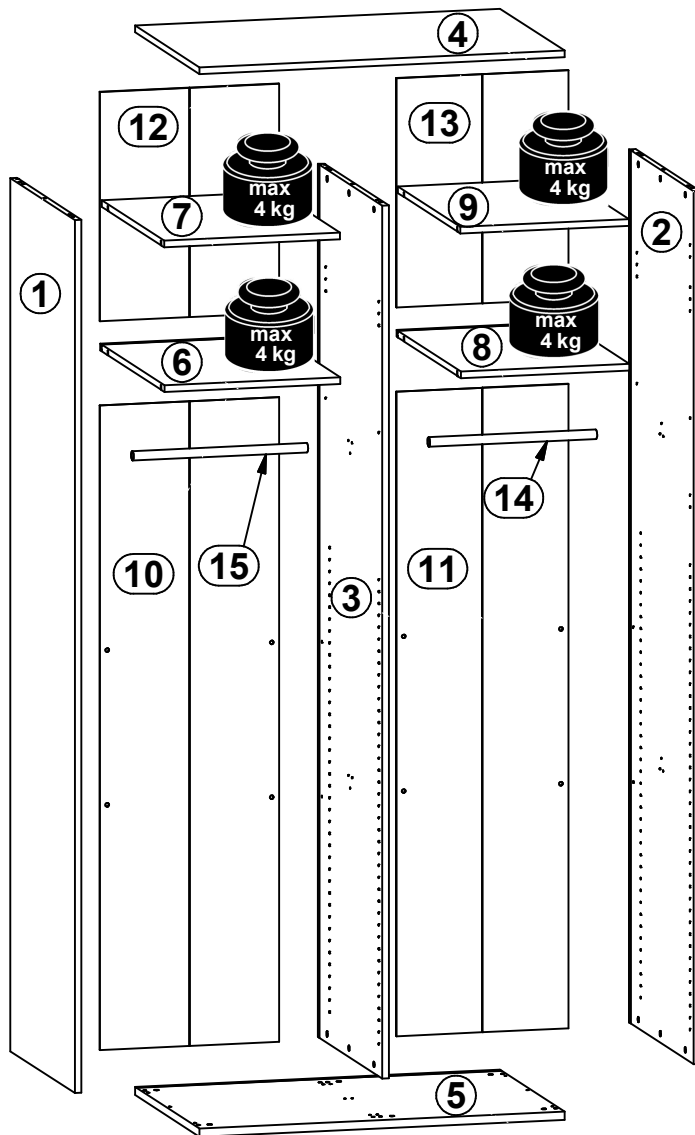
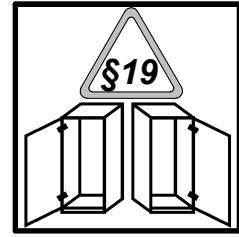


**A**

# FLEX

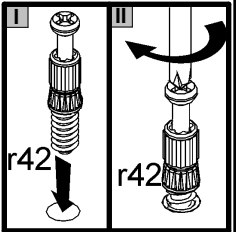
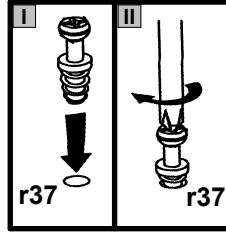
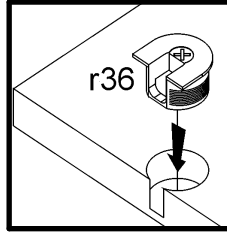
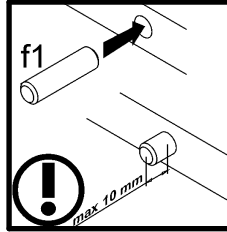
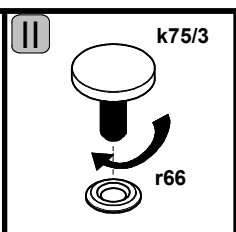
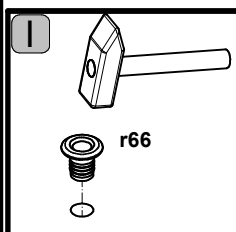
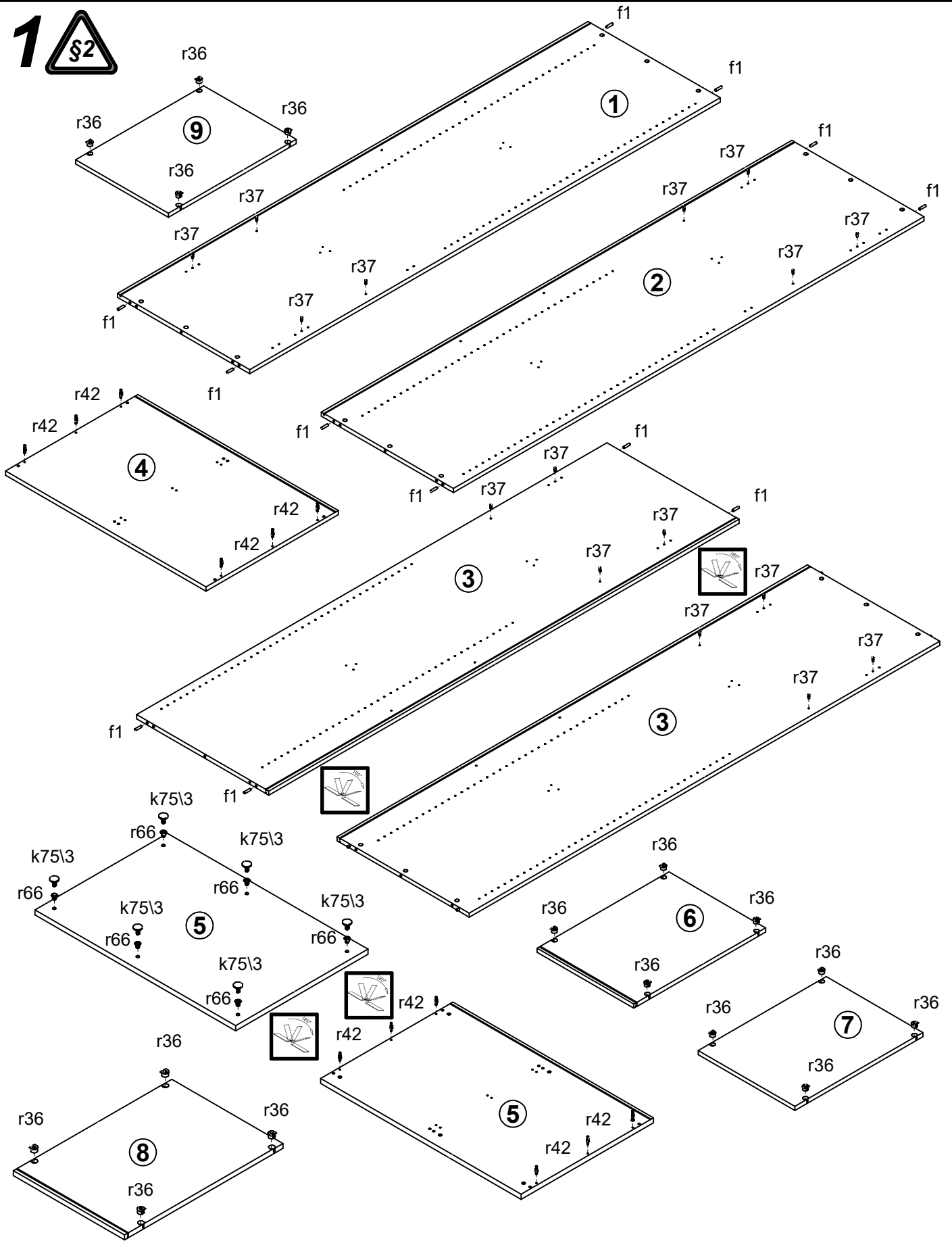
**F57-SZF2D/100/240/66**

A	B	C	D	
1	F57-1028	2346,	659,	1/3
2	F57-1029	2346,	659,	1/3
3	F57-1033	2346	659	2/3
4	F57-2036	1000	660	3/3
5	F57-2037	1000	660	3/3
6	F57-3048	482	658	3/3
7	F57-3049	482	638	3/3
8	F57-3056	462	658	3/3
9	F57-3057	462	638	3/3
10	F57-9311	1732	491	2/3
11	F57-9313	1732	471	2/3
12	F57-9314	616	491	2/3
13	F57-9315	616	471	2/3
14	g47\25	458,	0	3/3
15	g47\26	478,	0	3/3



8x  a204	8x  b90	8x  d20	12x  e3 Ø6x13 mm	8x  e50 Ø6.3x10 mm	12x  f1 Ø8x30 mm	4x  g46	6x  k75\3 32 mm	20x  l2
16x  p51 Ø3.5x15 mm	18x  r1 Ø15x12 mm #16	16x  r36 Ø20x12 mm #16	16x  r37 6,7/7,8	18x  r42 20/11	6x  r66 Ø12xM10x17mm	18x  s2 Ø16	6x  s4 Ø5	4x  s6 Ø8
6x  s41 Ø12x4 mm	1x  z15 4 mm	1x  z22 3 mm			2x  n14\2 88x21x15/1.5	4x  p38 Ø3.5x16 mm	2x  p17 Ø5x60 mm	2x  f35 Ø10x50 mm

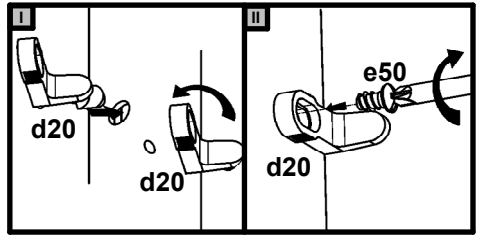
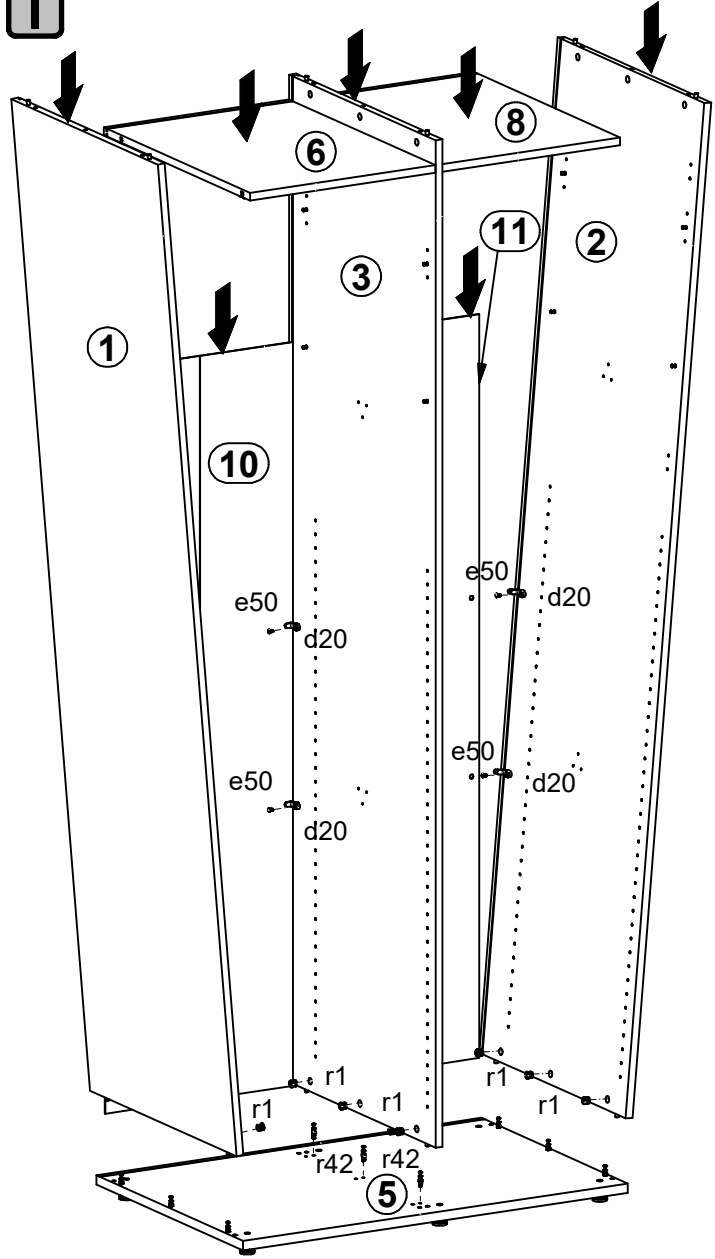
**1** 



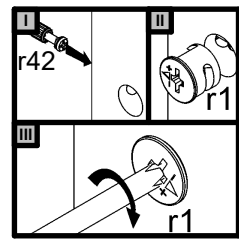
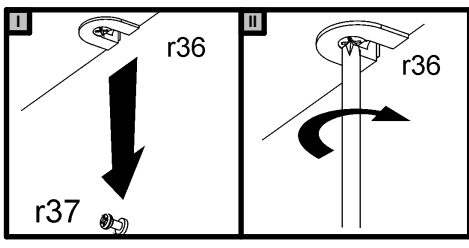
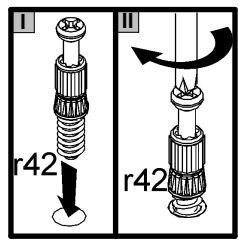
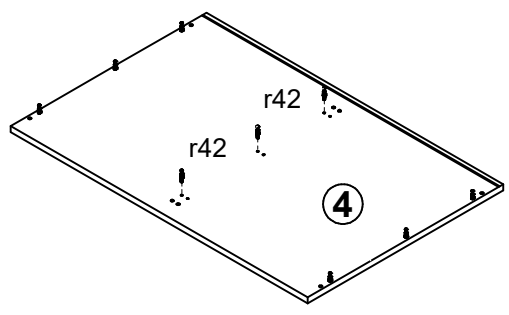
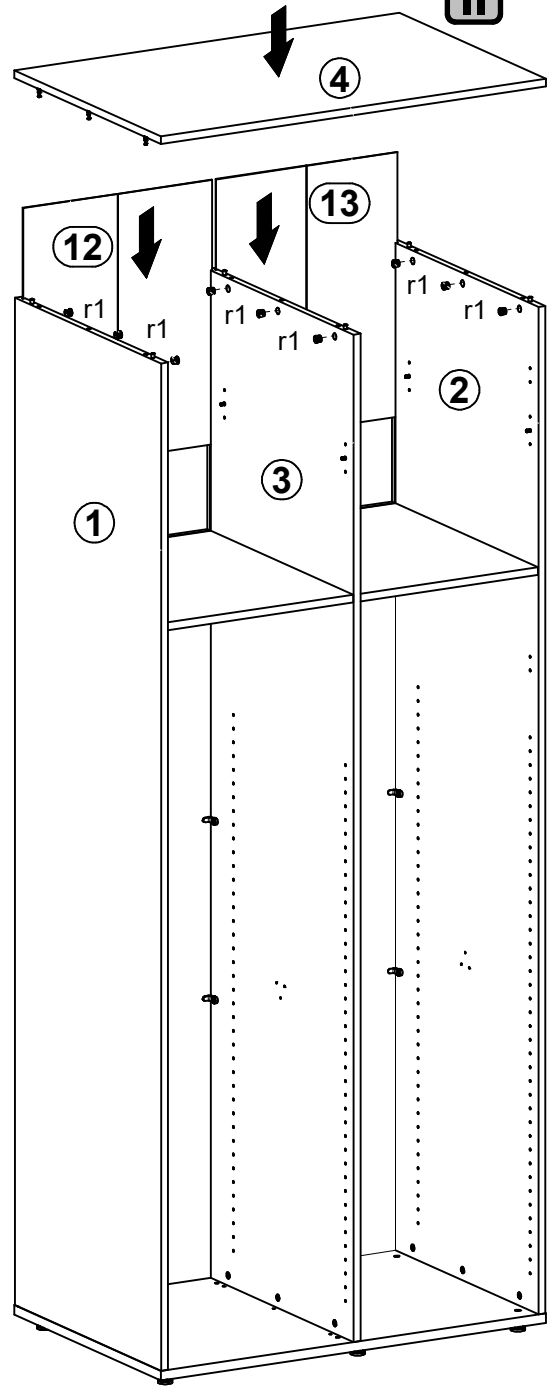


# 2A

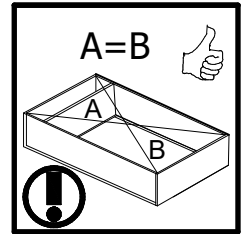
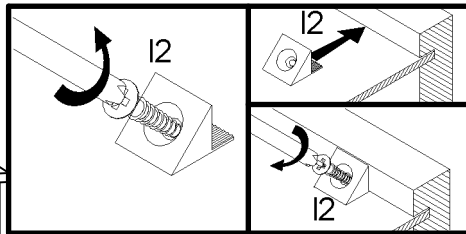
**I**



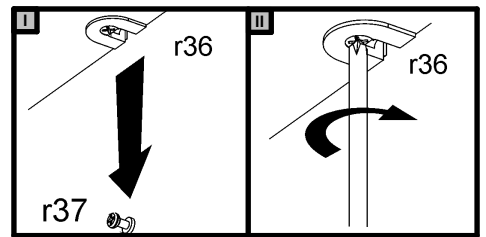
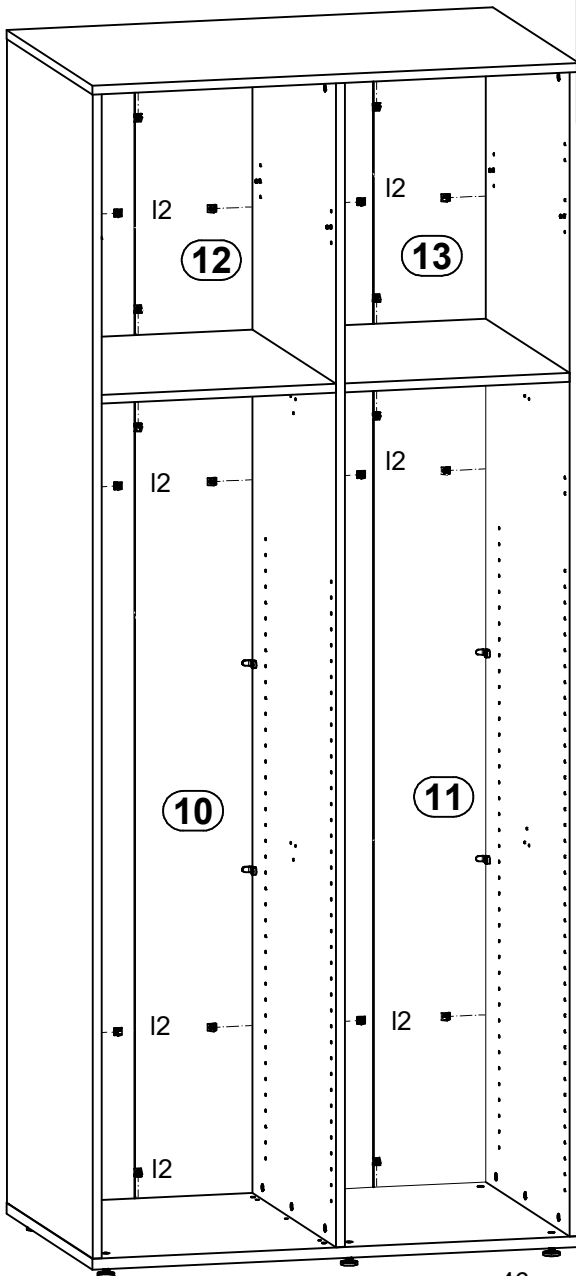
**II**



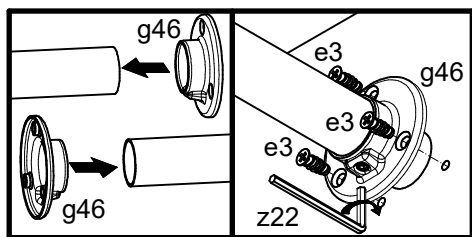
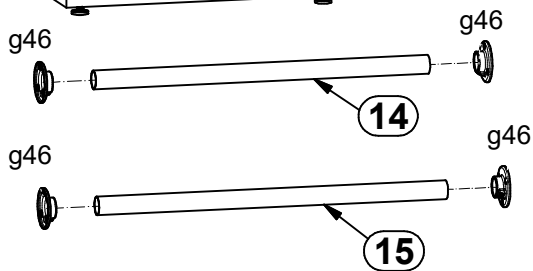
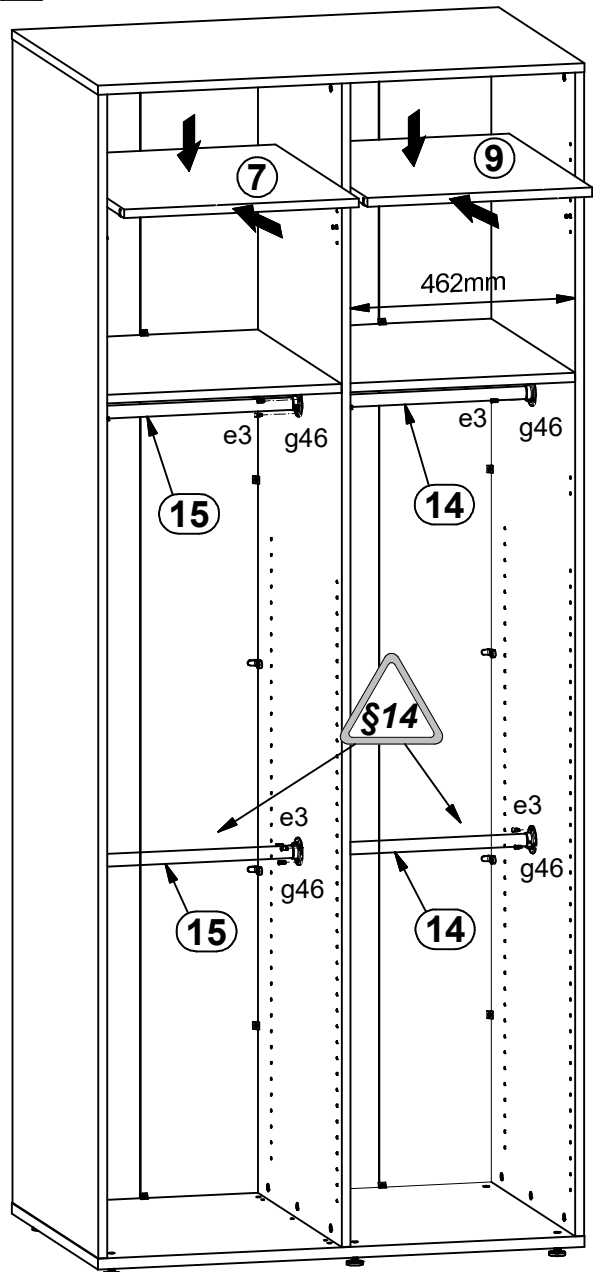
# 3A



I



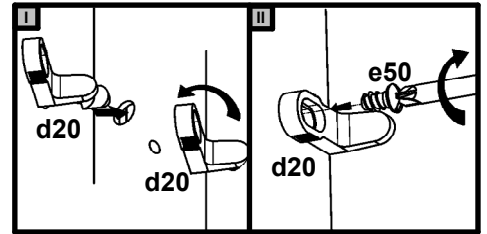
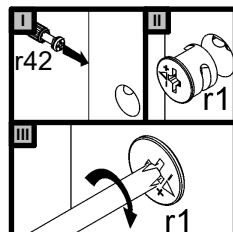
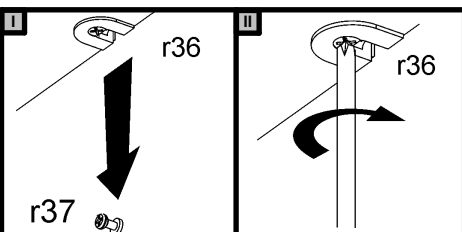
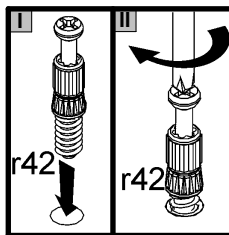
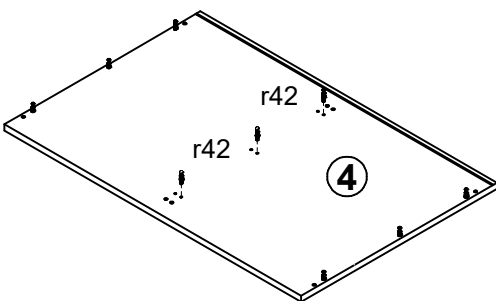
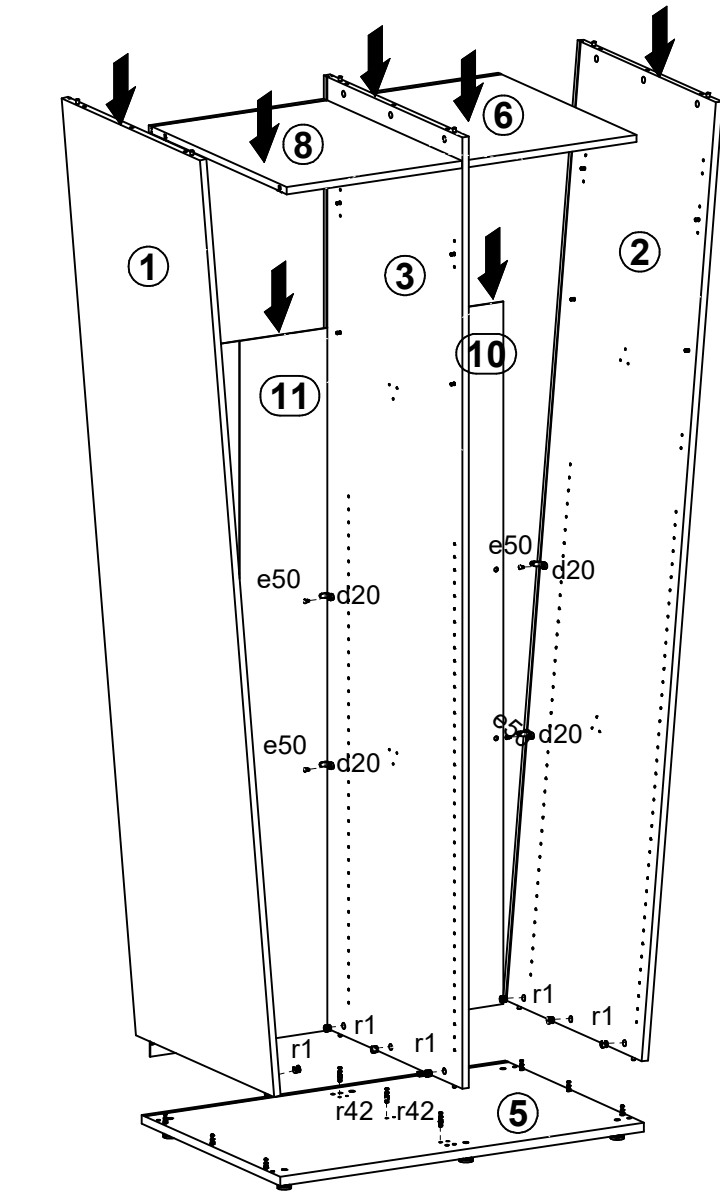
II



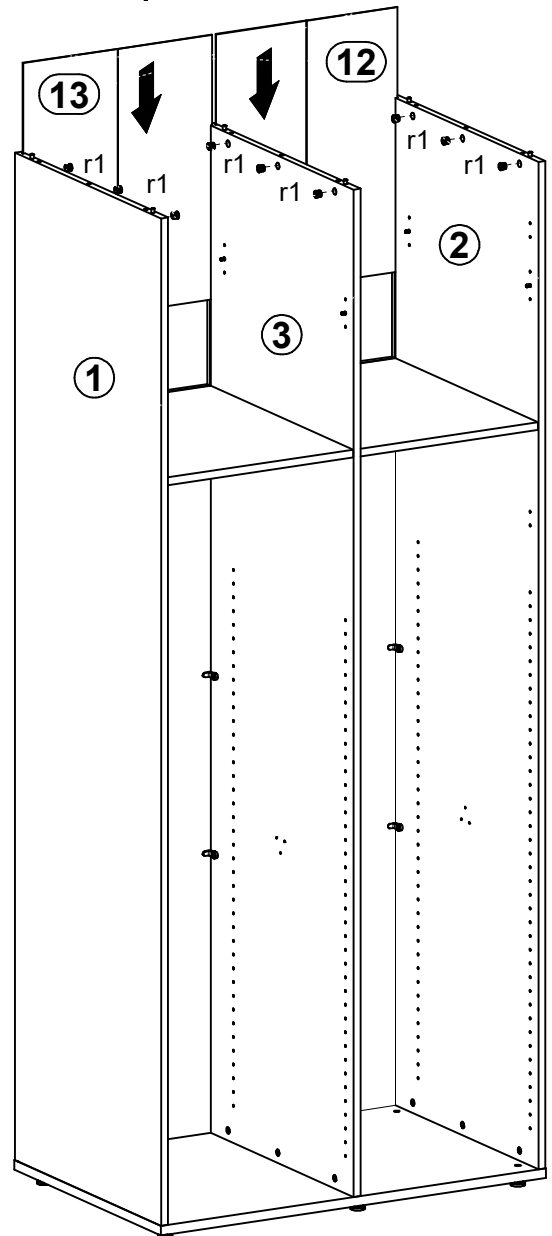
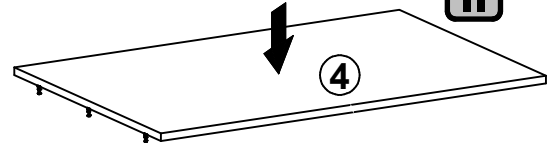
# 2B



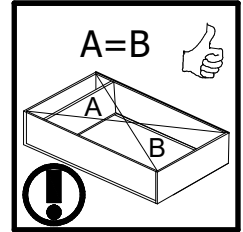
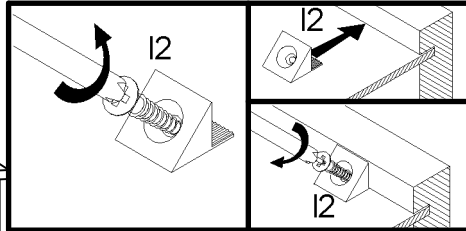
## I



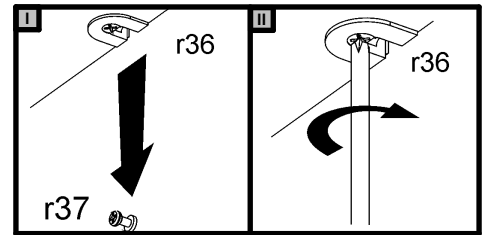
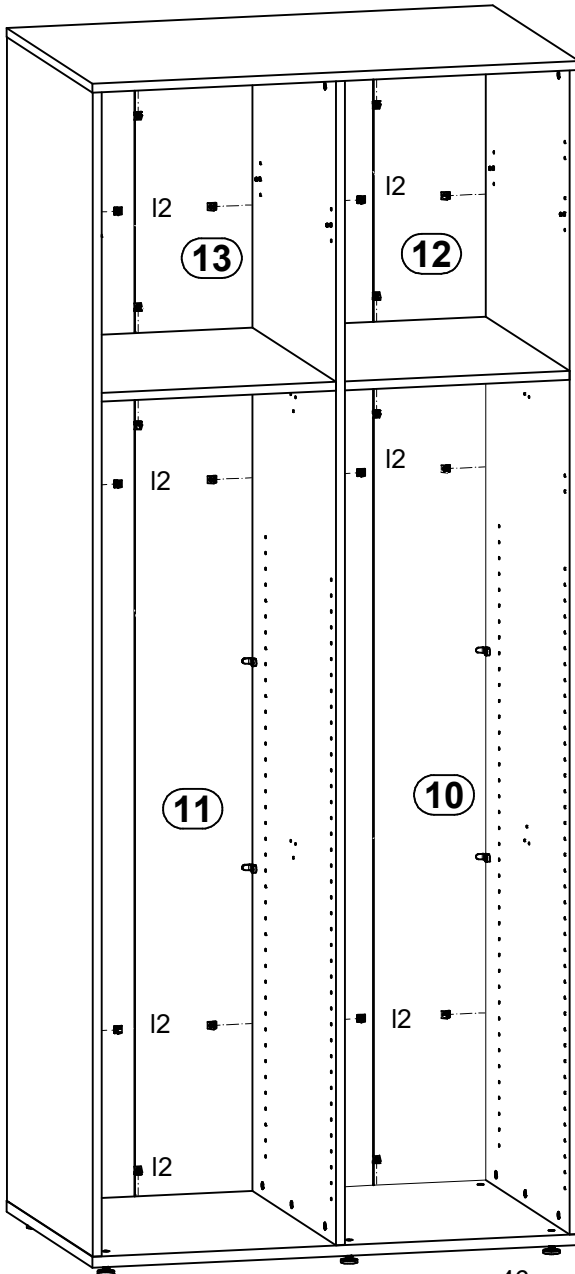
## II



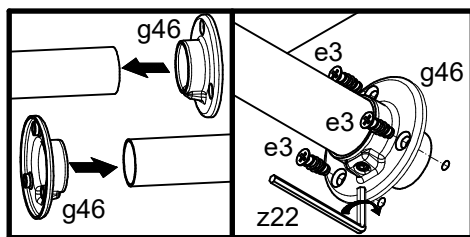
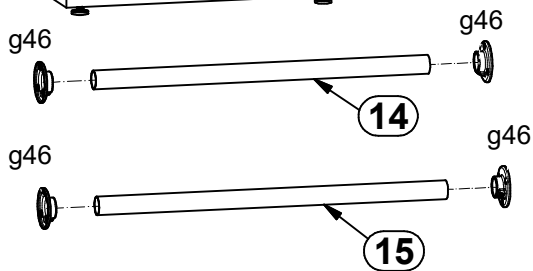
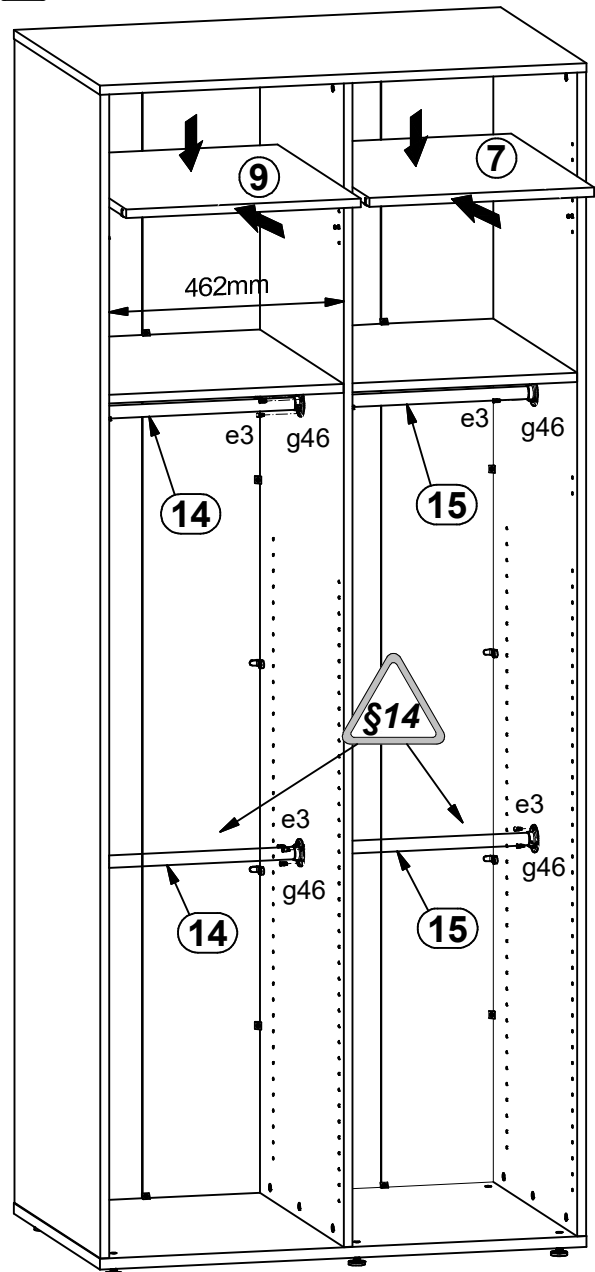
# 3B



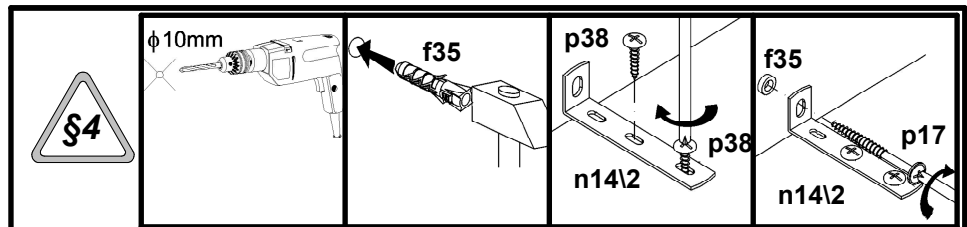
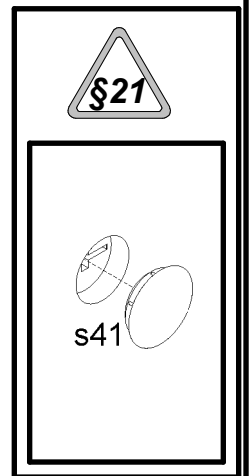
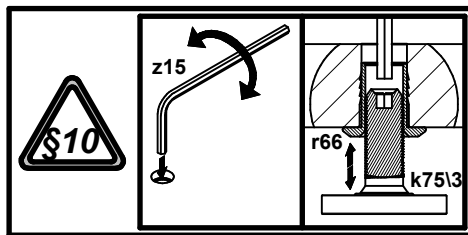
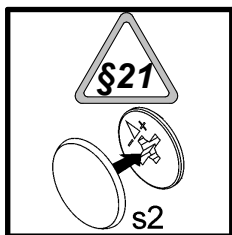
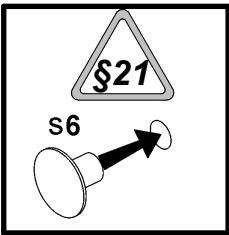
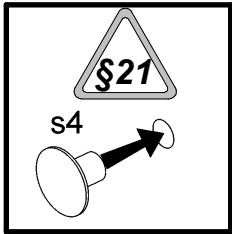
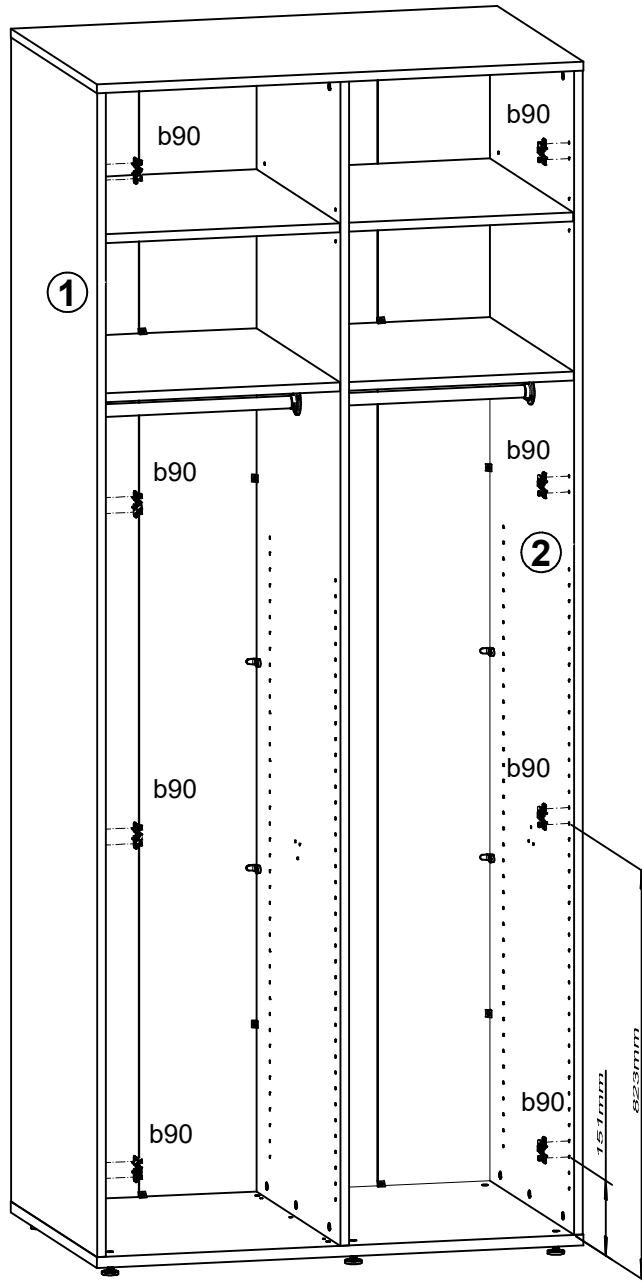
I



II

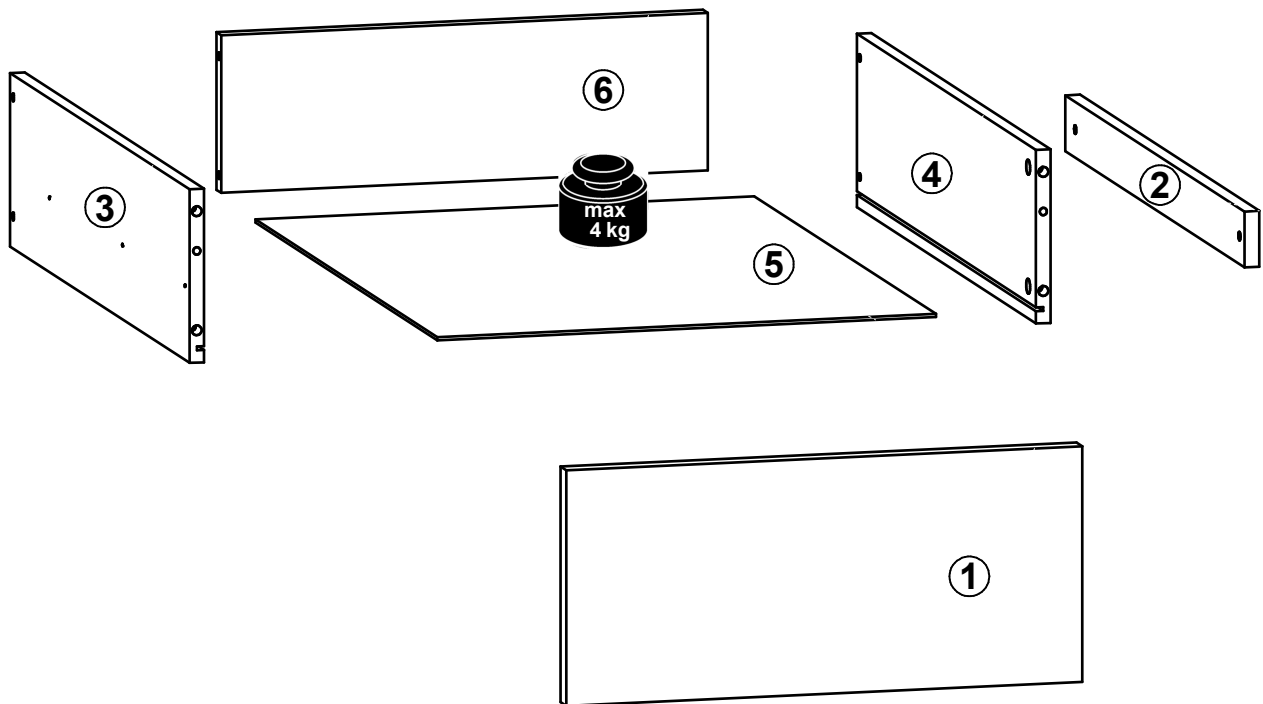
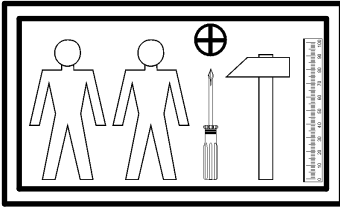
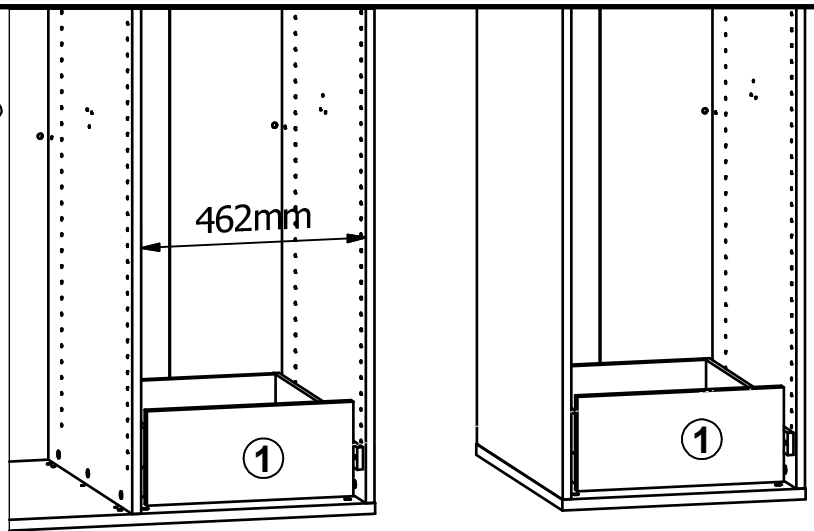


# 4



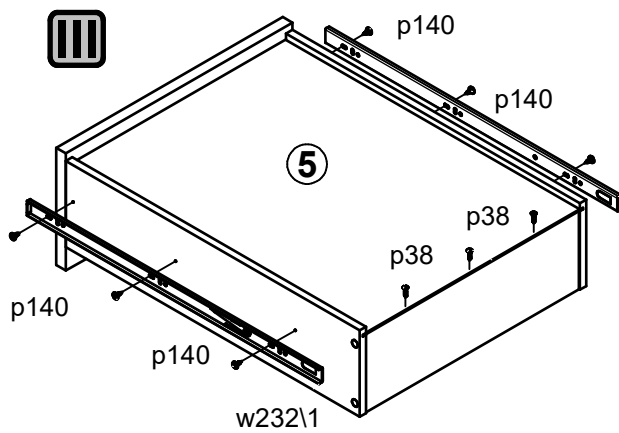
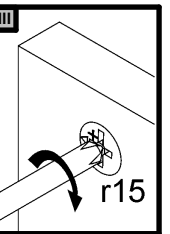
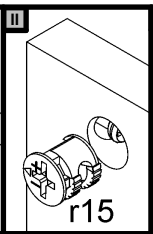
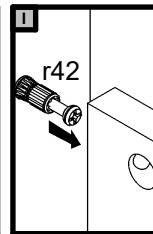
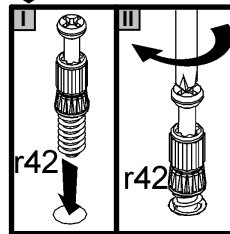
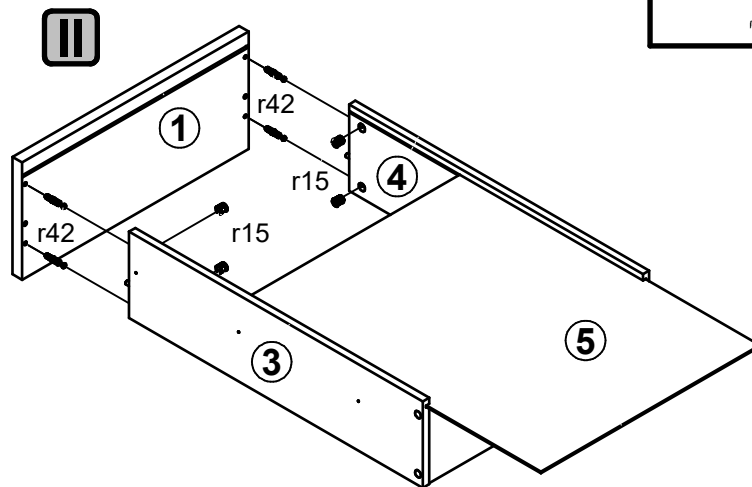
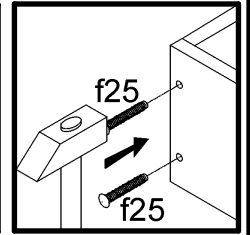
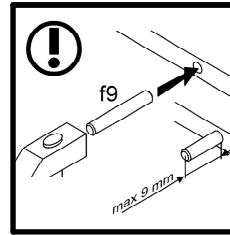
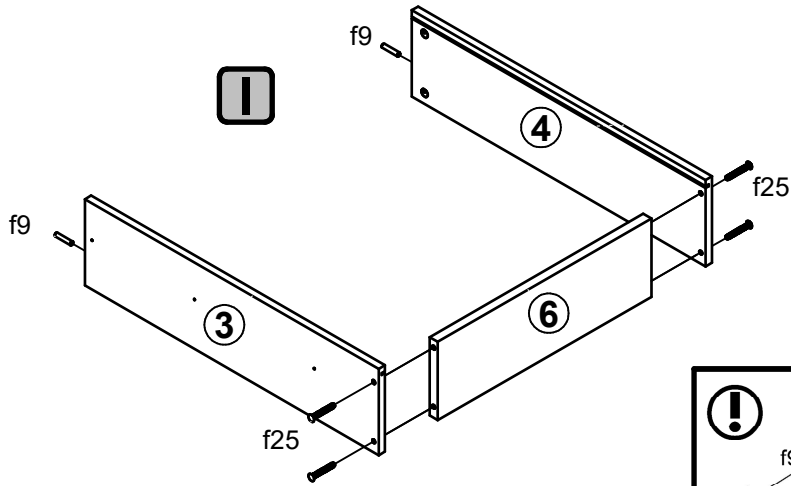
**A****FLEX****F57-SZU1S/46/66**

A	B	C	D
1	F57-0137	424	190
2	F57-4008	550	45
3	F57-5014	550	140
4	F57-5015	550	140
5	F57-9032	410	557
6	ZK3-5054	400	127

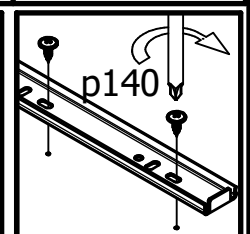
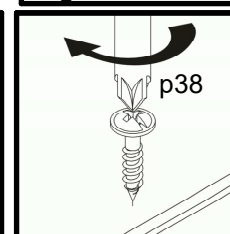
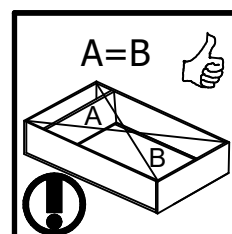
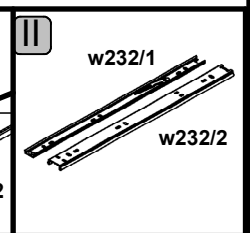
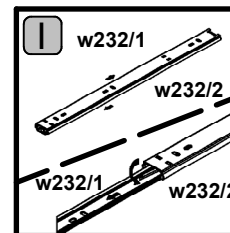


2x Ø6x13 mm <b>e3</b>	2x Ø6x28 mm <b>e25</b>	4x Ø6.5x40 mm <b>f25</b>	2x Ø6x30 mm <b>f9</b>	6x Ø3.5x12 mm <b>p140</b>	3x Ø3.5x16 mm <b>p38</b>	4x Ø12x10.5 mm #12 <b>r15</b>	4x <b>r42</b> 20/11	2x L-550 mm <b>w232\2</b>
2x L-550 mm <b>w232\1</b>								

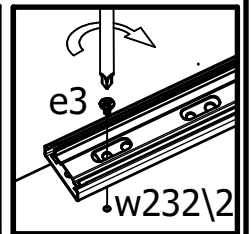
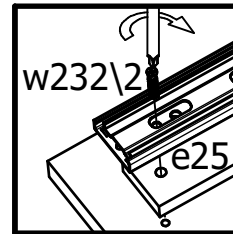
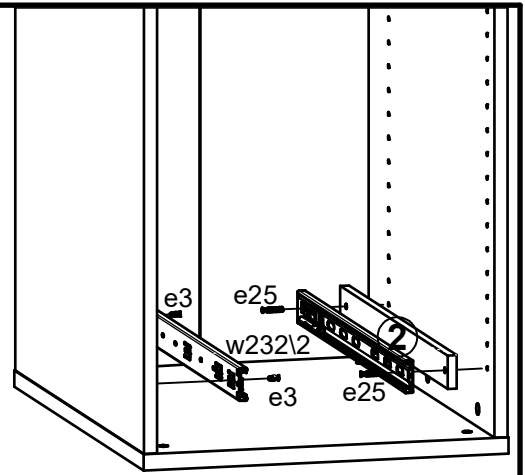
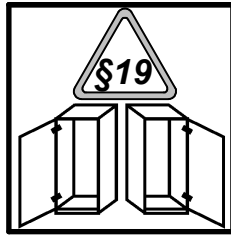
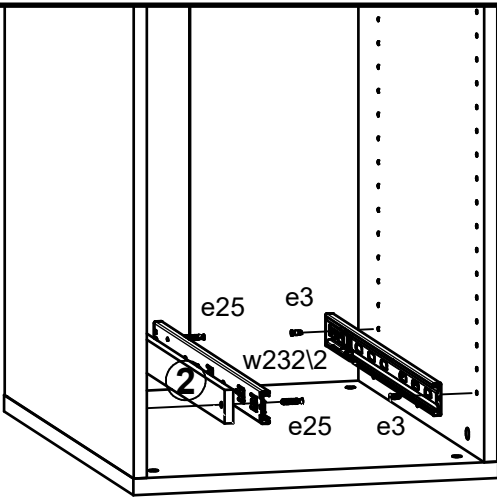
1 



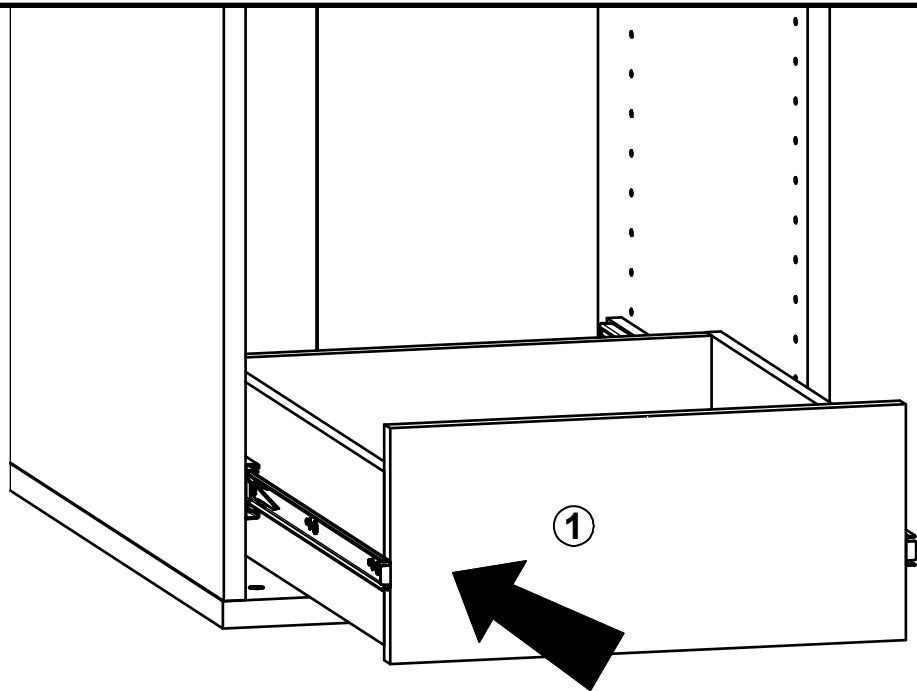
w232/1



# 2



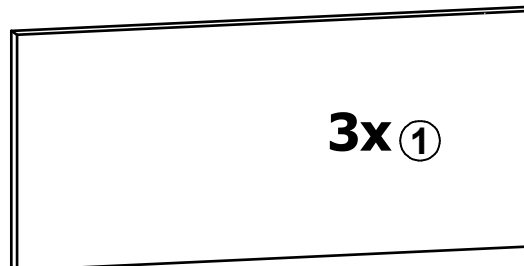
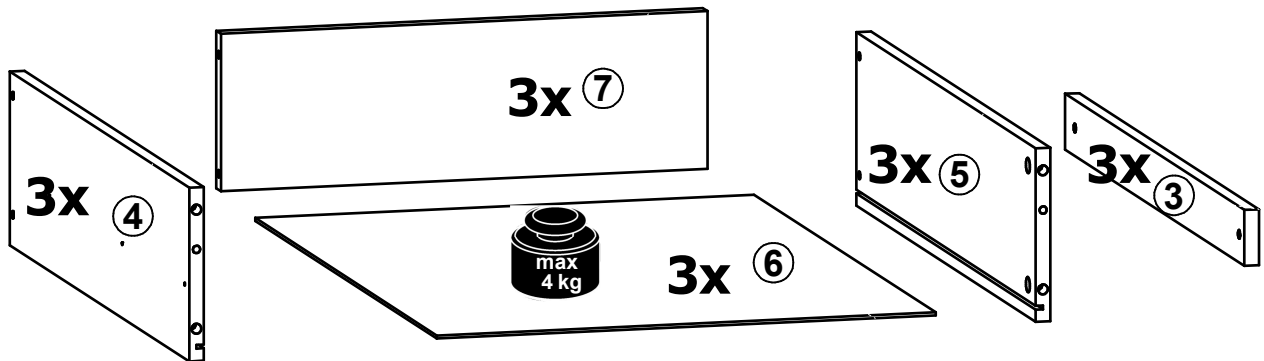
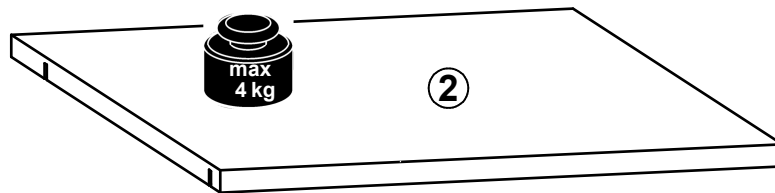
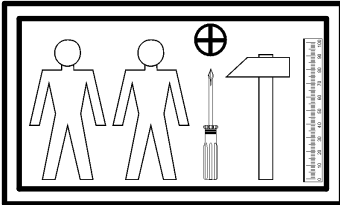
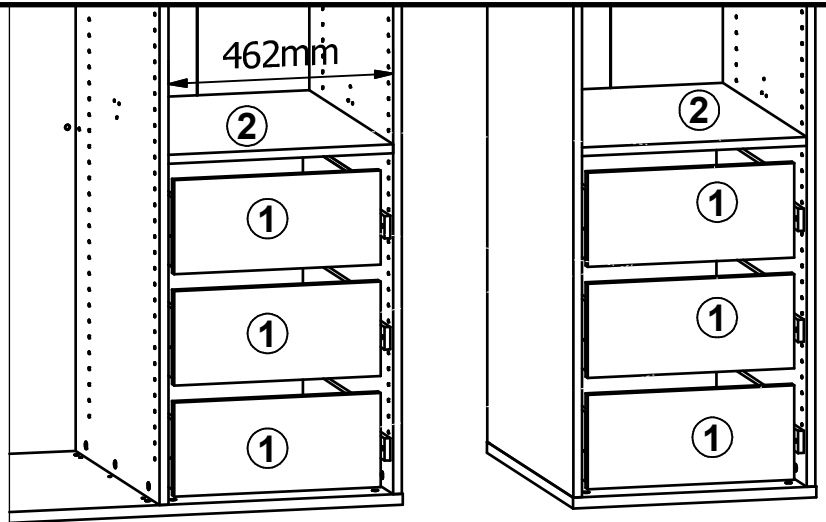
# 3





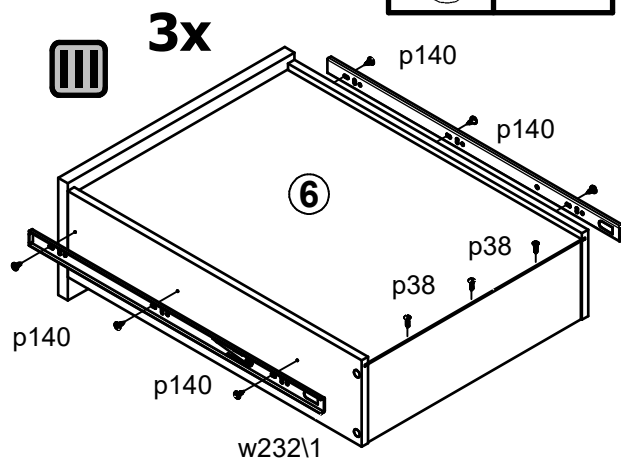
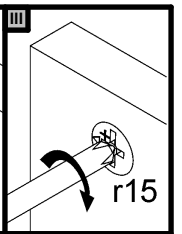
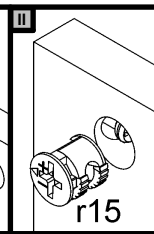
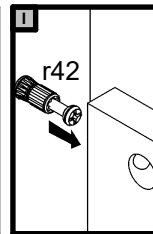
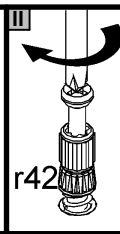
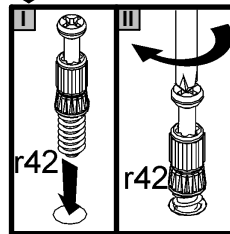
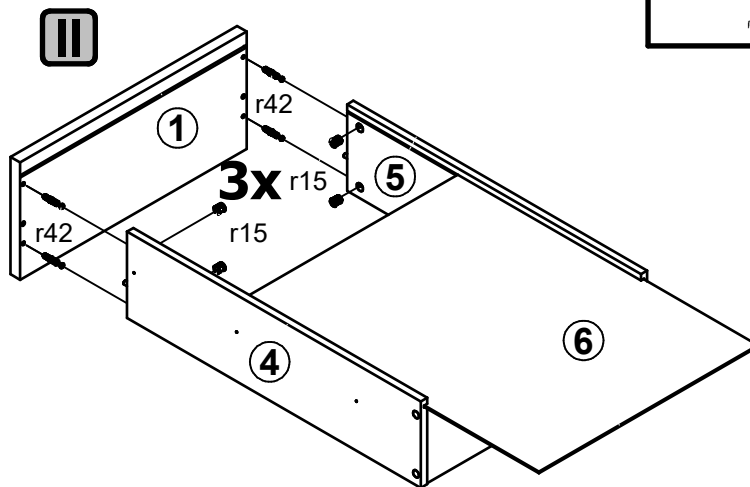
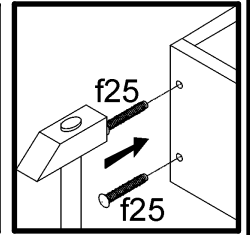
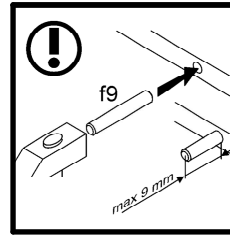
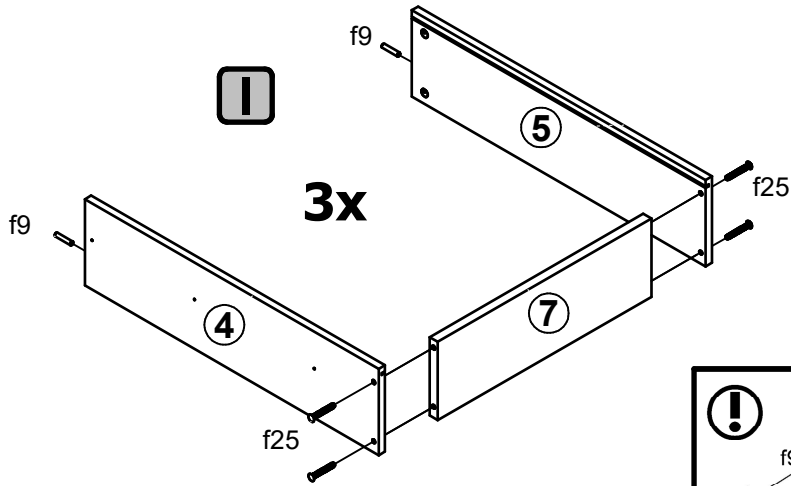
**A****FLEX****F57-SZU3S/46/66**

A	B	C	D
1	F57-0137	424	190
2	F57-3081	462	642
3	F57-4008	550	45
4	F57-5014	550	140
5	F57-5015	550	140
6	F57-9032	410	557
7	ZK3-5054	400	127



6x Ø6x28 mm <b>e25</b>	6x Ø6x13 mm <b>e3</b>	12x Ø6.5x40 mm <b>f25</b>	6x Ø6x30 mm <b>f9</b>	18x Ø3.5x12 mm <b>p140</b>	9x Ø3.5x16 mm <b>p38</b>	12x Ø12x10.5 mm #12 <b>r15</b>	4x Ø20x12 mm #16 <b>r36</b>	4x 6,7/7,8 <b>r37</b>
12x 20/11 <b>r42</b>	6x <b>w232/1</b>	6x L-550 mm <b>w232/2</b>						

1 



w232\1

